

Model(型號): **ROTARY POTENTIOMETER-----R09V11V01**

► Download PDF file



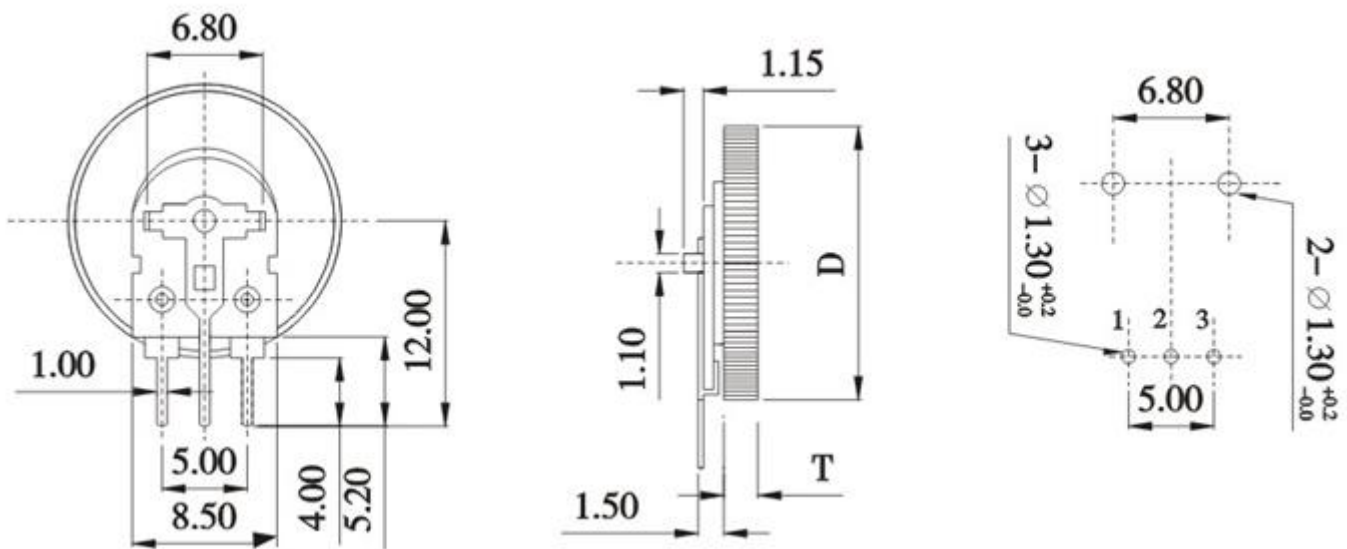
Features:(特點):

Thin body, only 0.9mm thickness.
We offer both the DIP soldering type and reflow type.

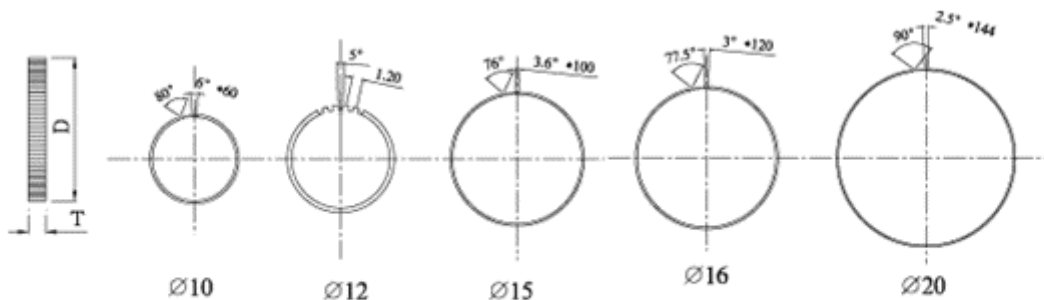
Applications(作用):

For volume controls, electronic tuning and brightness control in radio , headphone stereo,liquidcrystal TV set,personal computer, CD-ROM,ect.

Dimensions(規格圖):



TYPE OF KNOB



D	$\varnothing 10$	$\varnothing 12$	$\varnothing 15$	$\varnothing 16$	$\varnothing 20$
T	1.8	1.9	0.9	1.9	3.0

Specifications(規格)

Electrical Characteristics [電氣性能]

Total resistance [全阻抗值]	100Ω - 1MΩ
Total resistance tolerance [全阻抗值容許差]	±20%
Ratings power(w) [額定功率]	0.05W
Resistance taper [阻抗變化特性]	A,B,C,
Residual resistance [殘留阻值]	20Ω Max
Sliding noise [滑動雜音]	70mV Max.
Gang error [連動誤差]	$R \leq 1K\Omega, 30dB \sim 0dB \pm 3dB \text{ Max} ;$ $R > 1K\Omega, 40dB \sim 0dB \pm 3dB \text{ Max} .$
Insulation resistance [絕緣阻抗]	100MΩ Min. at DC 100V.
Max. operating voltage [最高使用電壓]	DC 12V

Mechanical Characteristics [机械性能]	
Operation torque [回轉力矩]	10~60gf . cm
Rotation stopper strength [止動強度]	1.0Kgf . cm Min.
Total rotational angle [回轉角度]	220 ±5°
Knob push-pull strength [推拉強度]	Push force 0.5kgf. cm Max. pull force 0.2kgf.cm Max.
Endurance Characteristics [耐久性能]	
Rotational life [回轉壽命]	More than10,000 cycles

[Http://www.productwell.com](http://www.productwell.com) E-Mail: pwlhk@productwell.com Tel: (852)2687 3208 Fax: (852)2687 3336